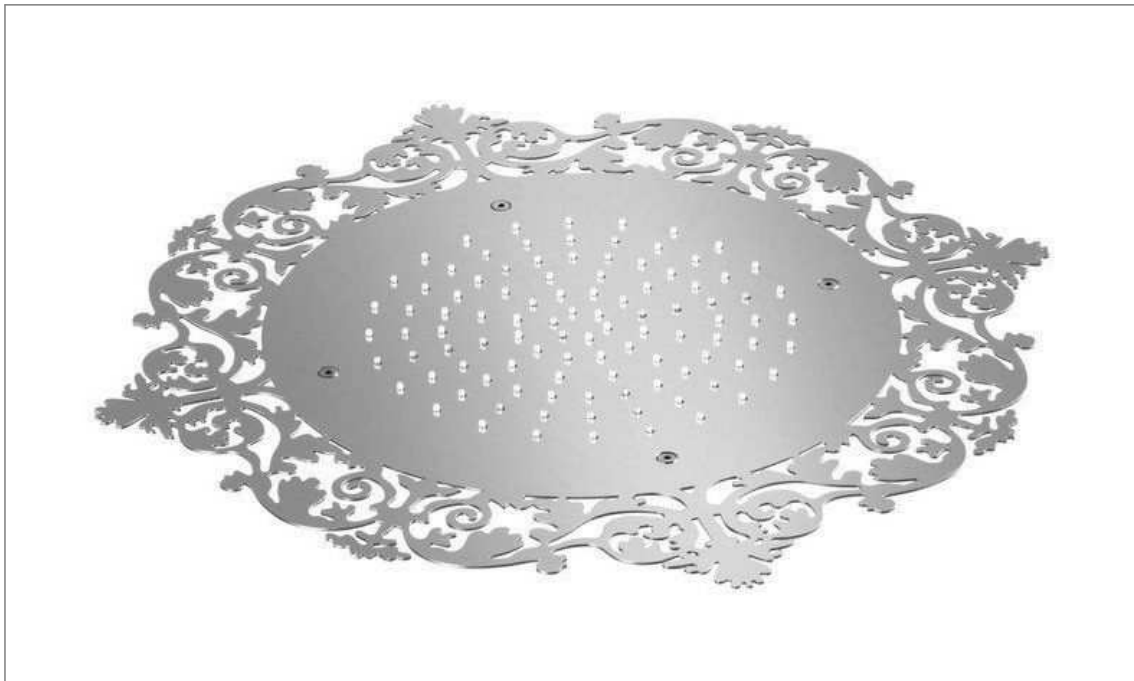


aquatica®

Function, Form & Fashion



Ajour MCRD-770 Built-In Shower Head

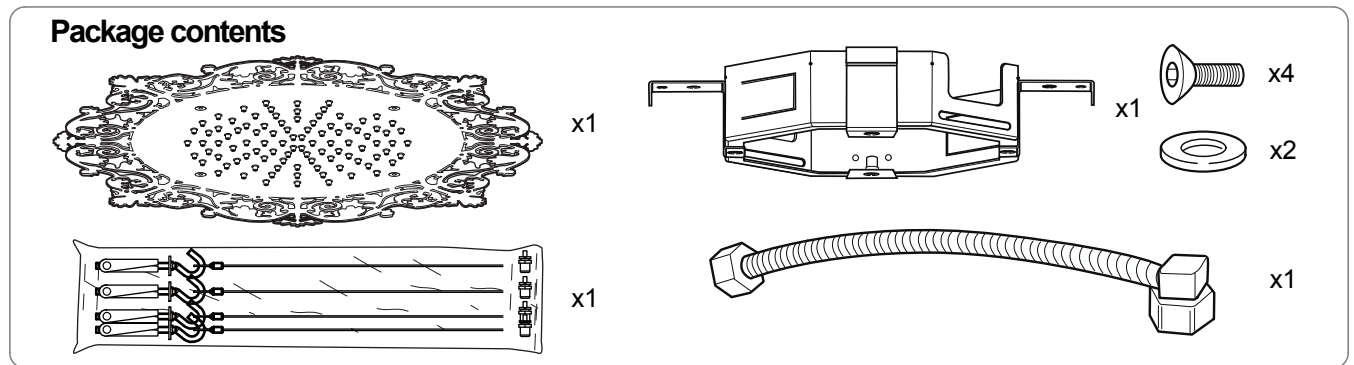
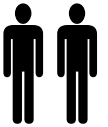
Installation & Care Manual
Europe/International

Ajour MCRD-770

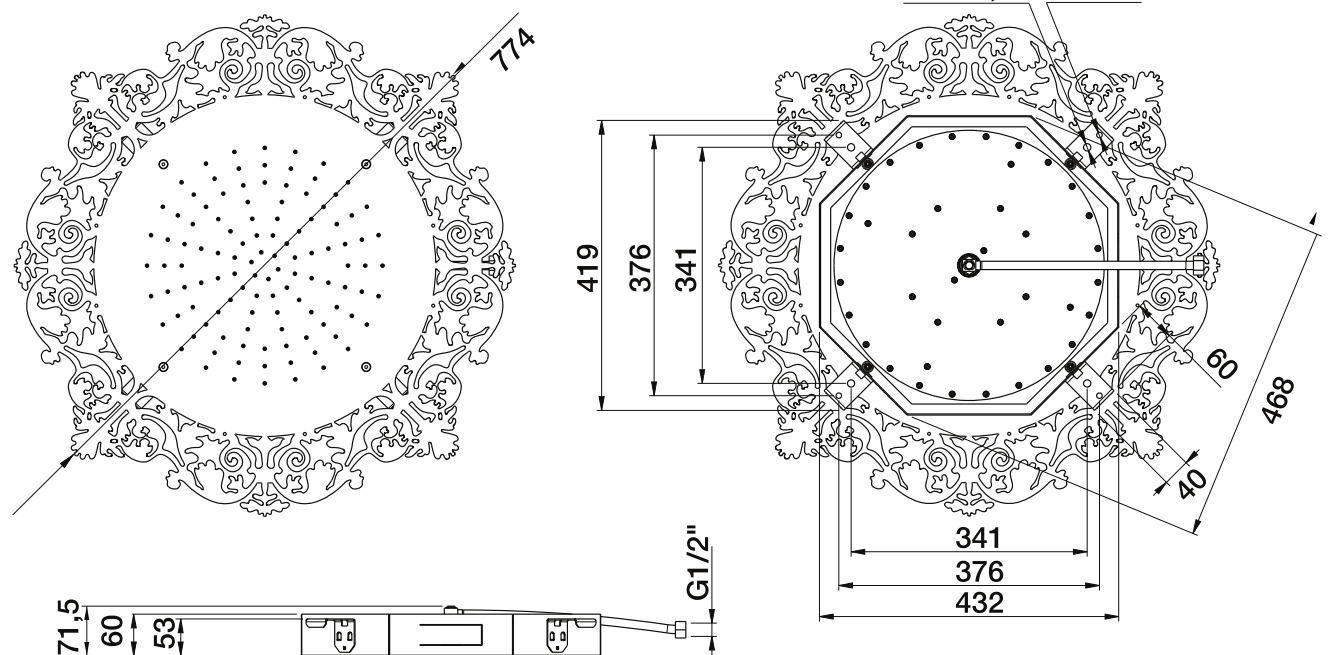
Built-In Shower Head

PARTS LIST / RAIN FLOW SPECIFICATION

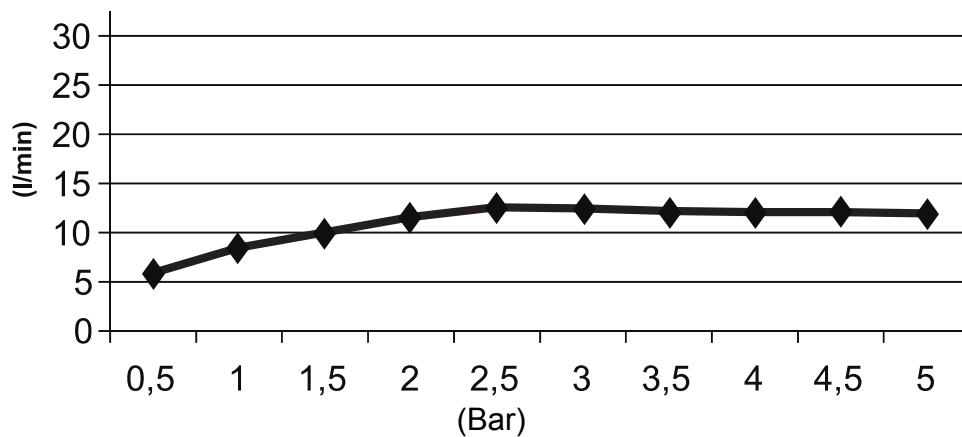
TWO PEOPLE
REQUIRED FOR
INSTALLATION



MEASUREMENTS: mm



Rain flow l/min



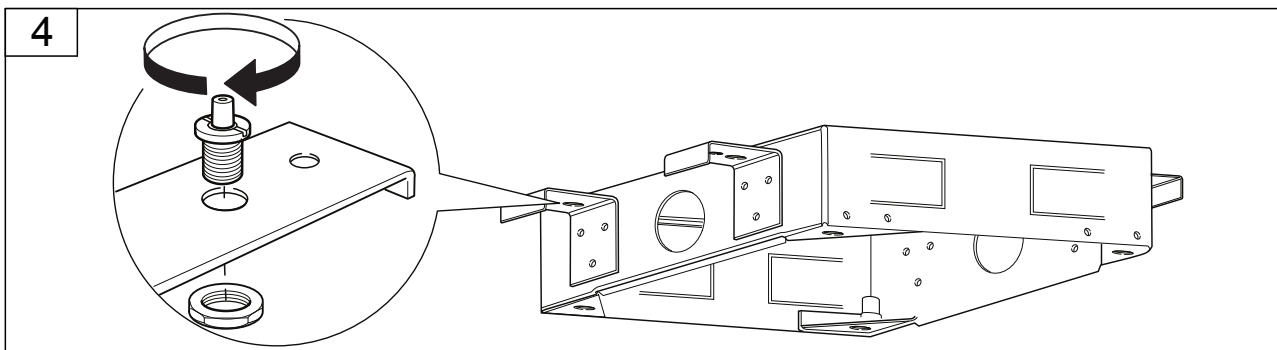
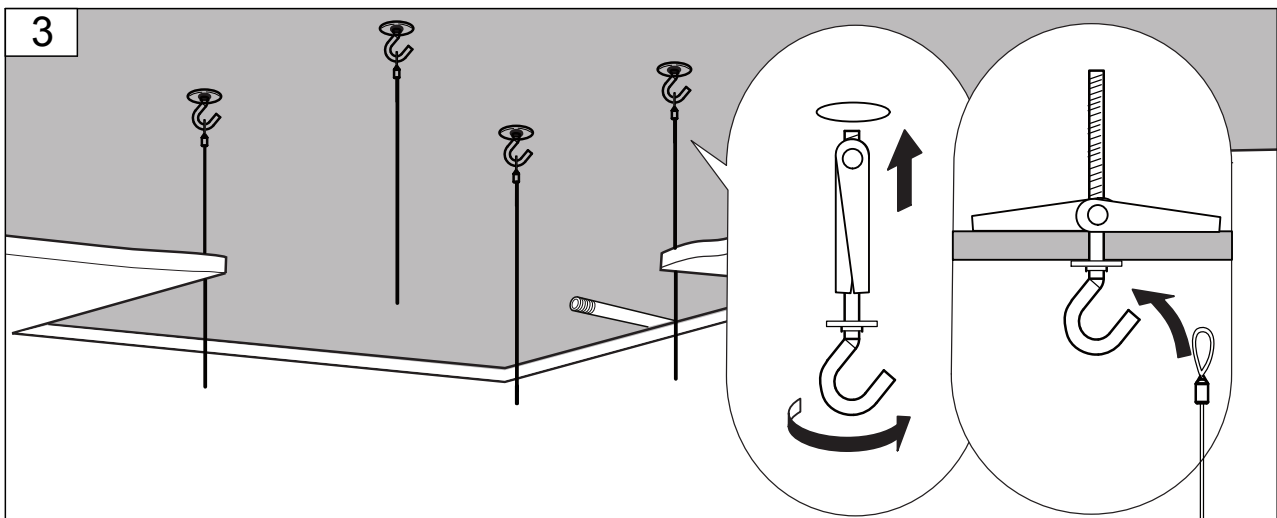
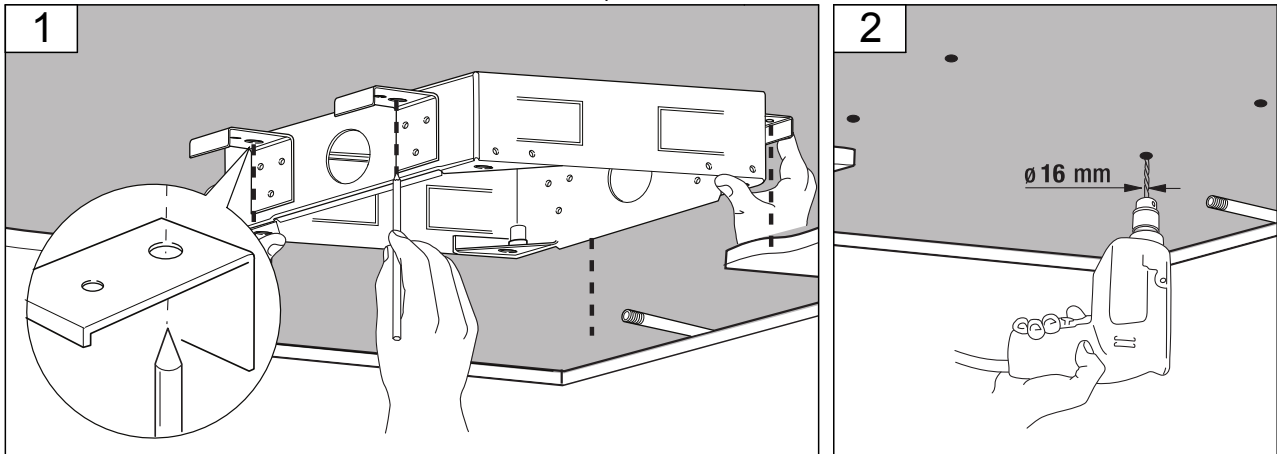
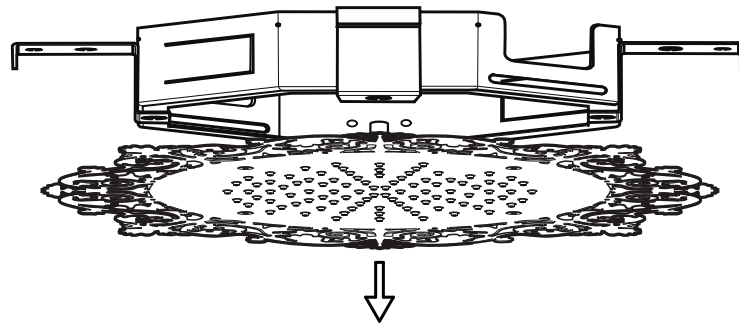
	MIN	1 Bar
	MAX	5 Bar
	BEST	3 Bar
	MAX	70° C
	BEST	38°/40° C

Ajour MCRD-770

Built-In Shower Head

INSTALLATION SEQUENCE

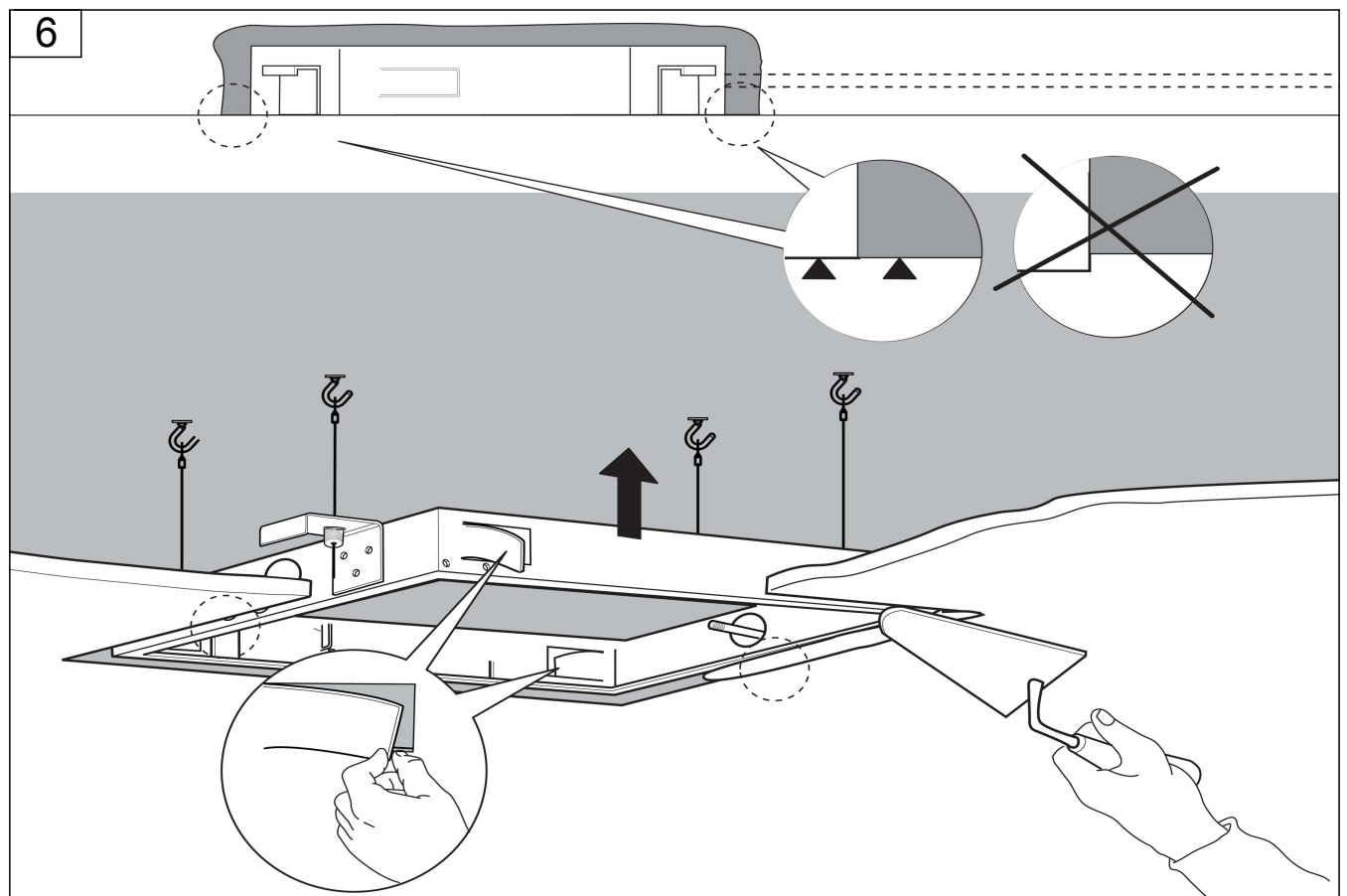
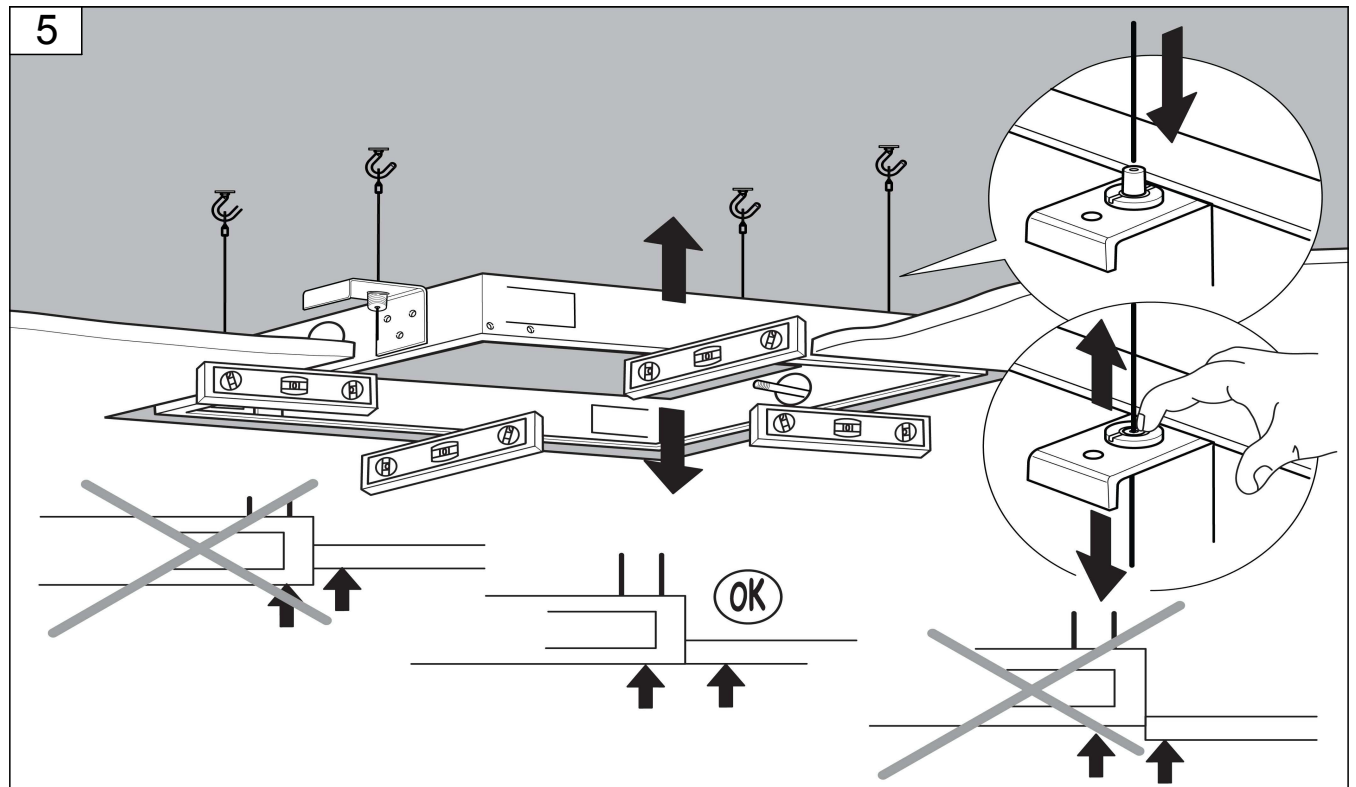
aquatica®
Function, Form & Fashion



Ajour MCRD-770

Built-In Shower Head

INSTALLATION SEQUENCE continued

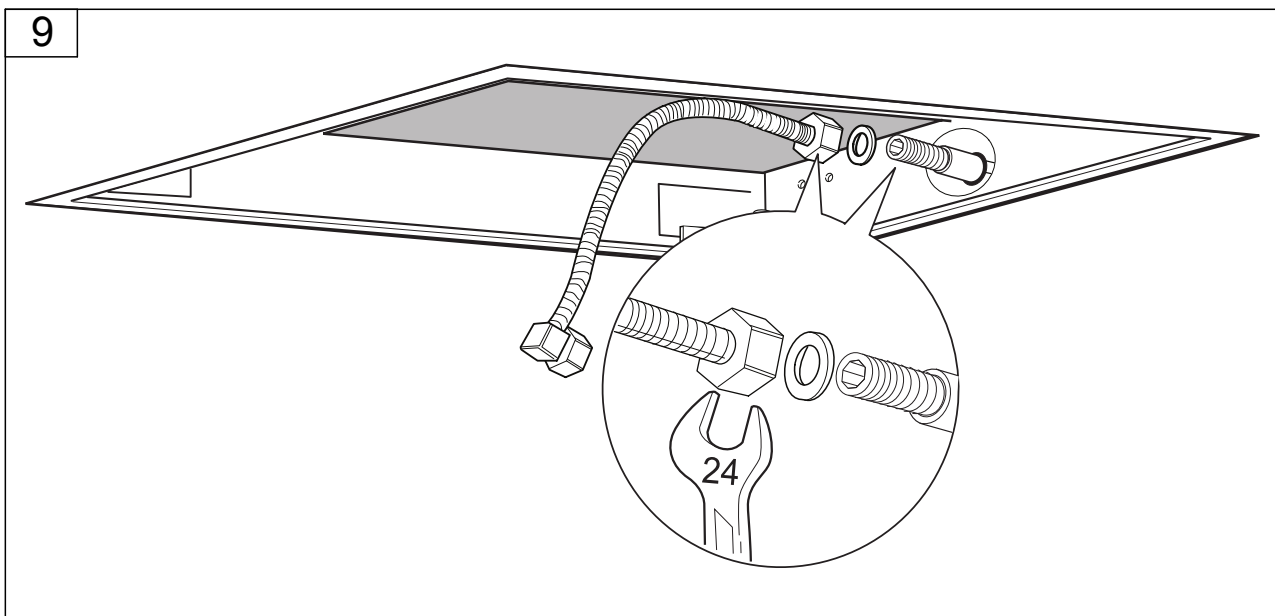
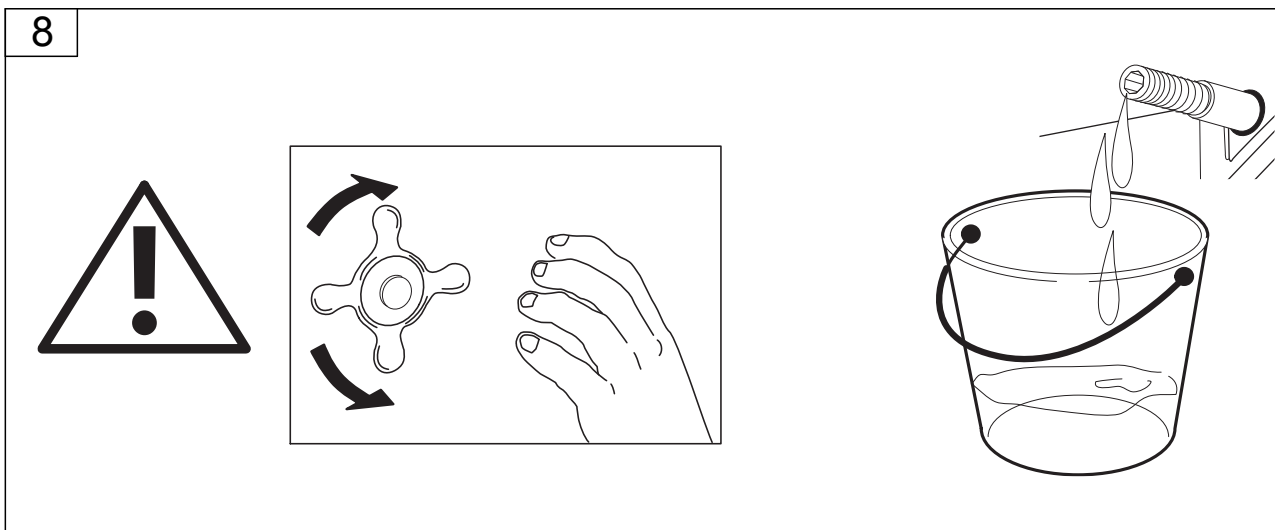
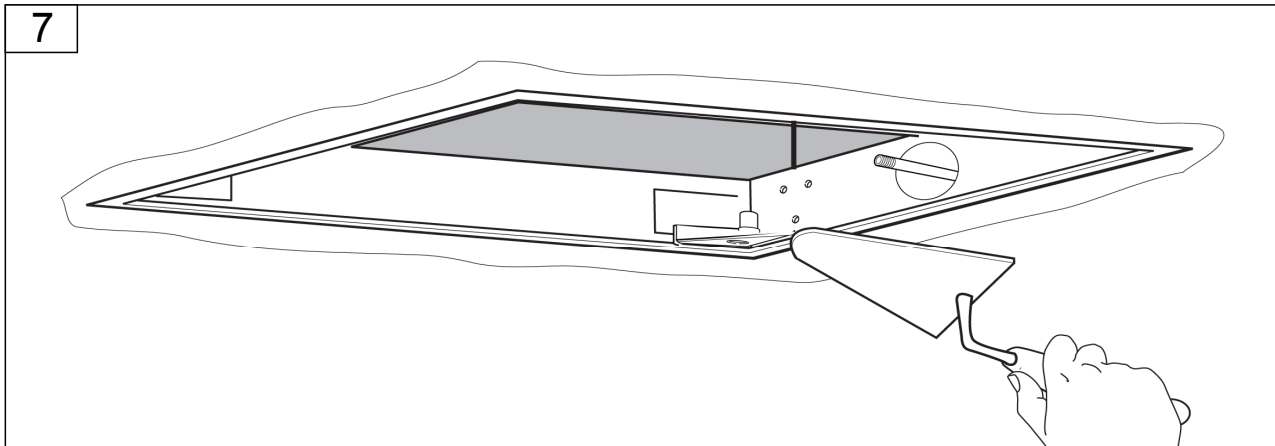


Ajour MCRD-770

Built-In Shower Head

INSTALLATION SEQUENCE continued

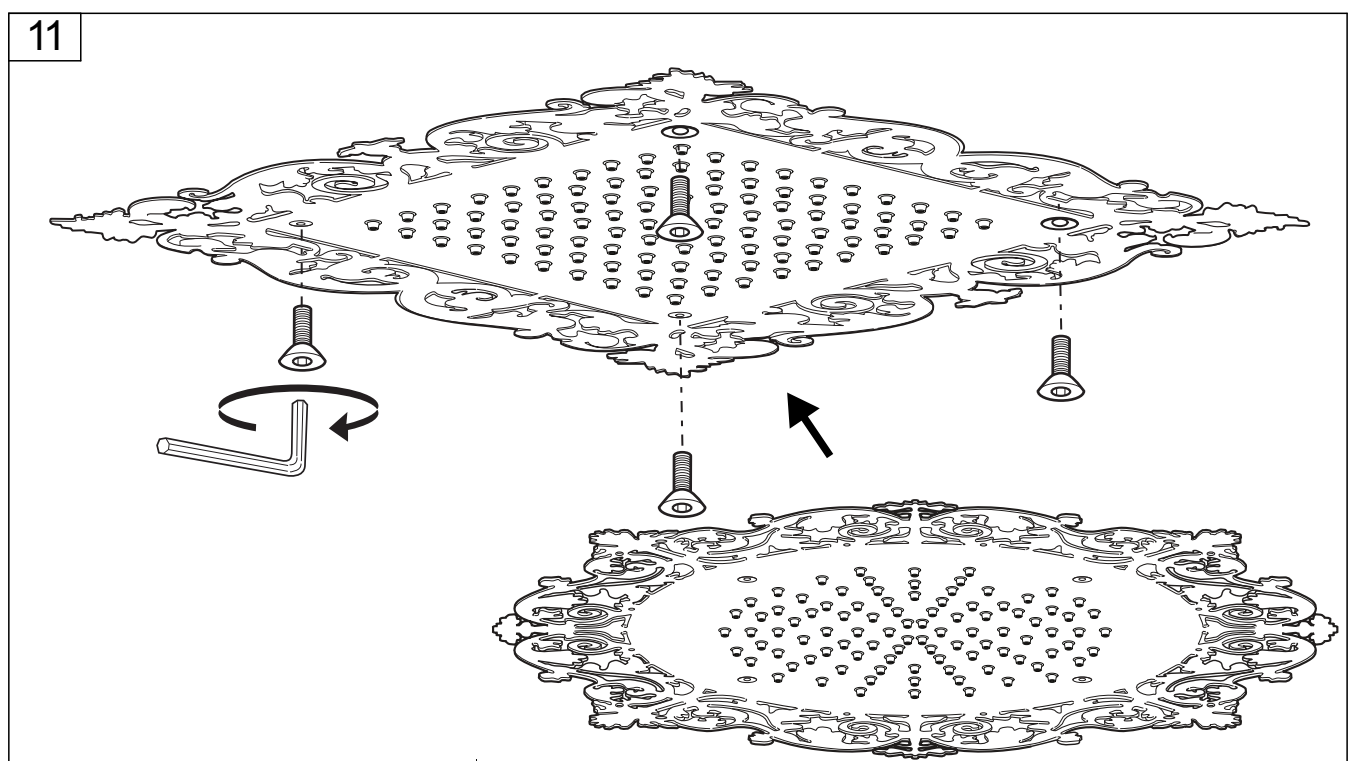
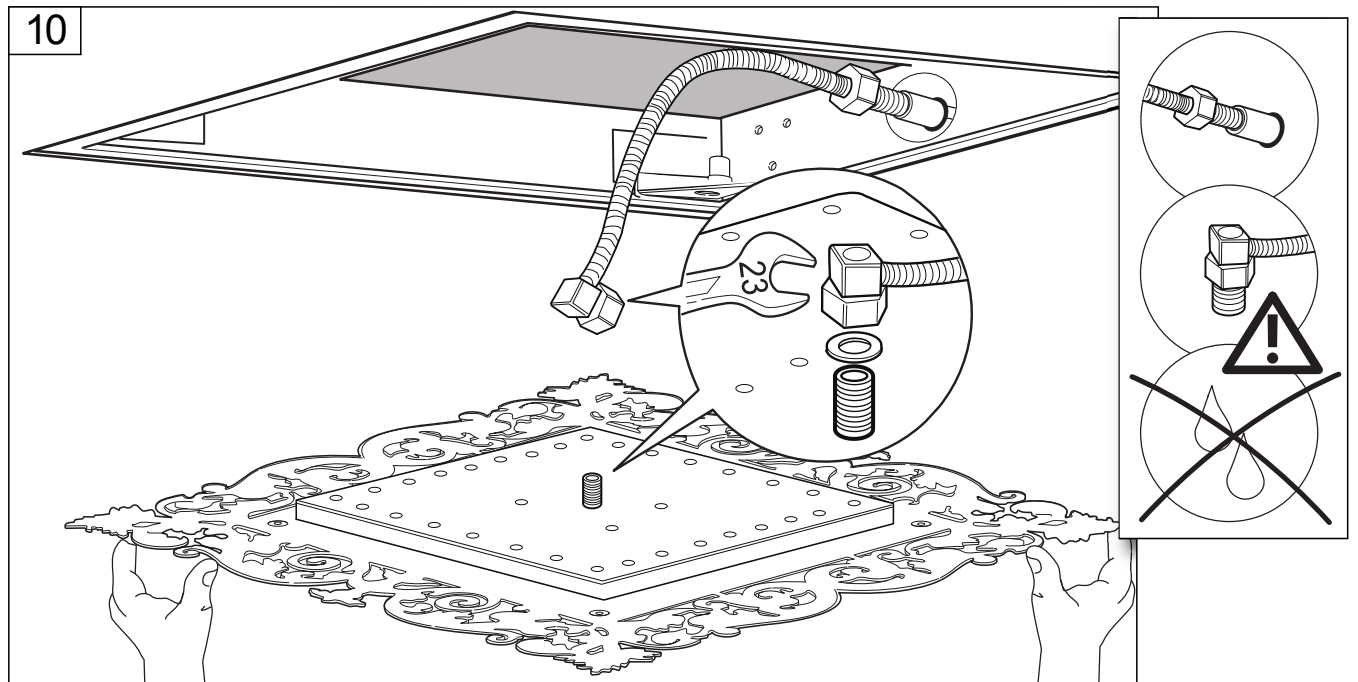
aquatica[®]
Function, Form & Fashion



Ajour MCRD-770

Built-In Shower Head

INSTALLATION SEQUENCE continued



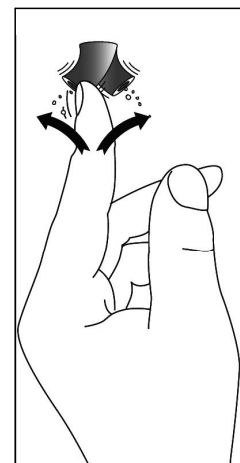
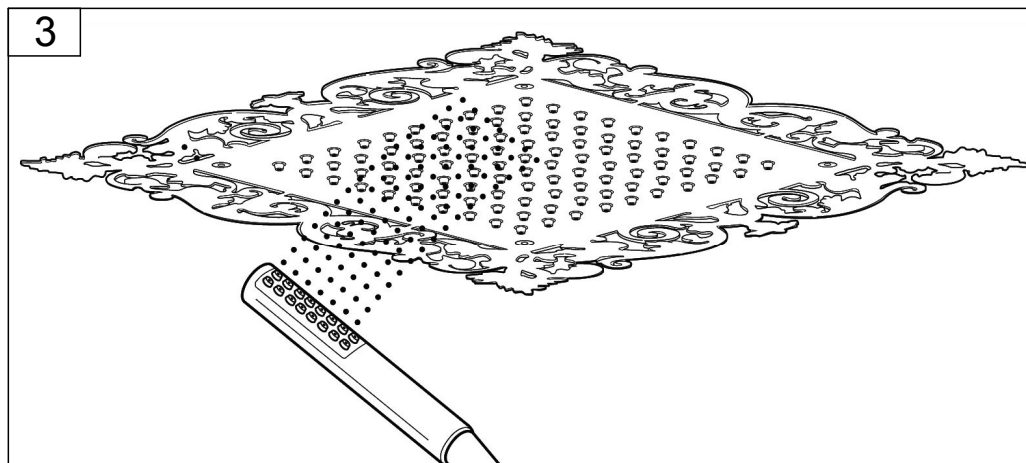
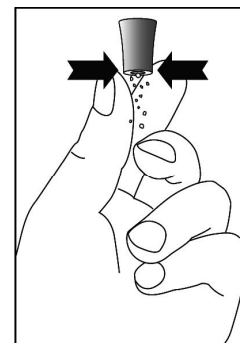
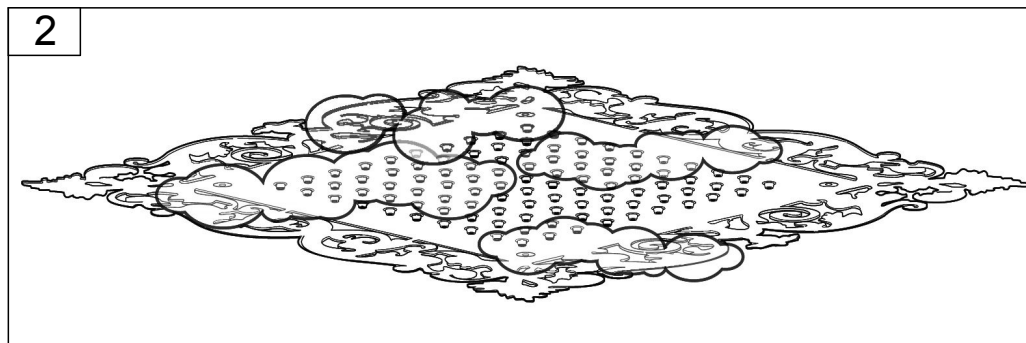
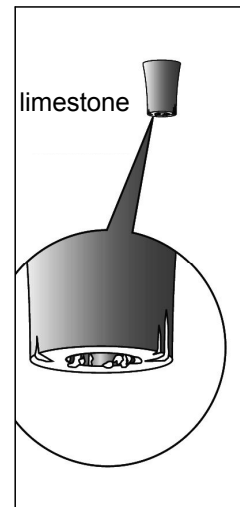
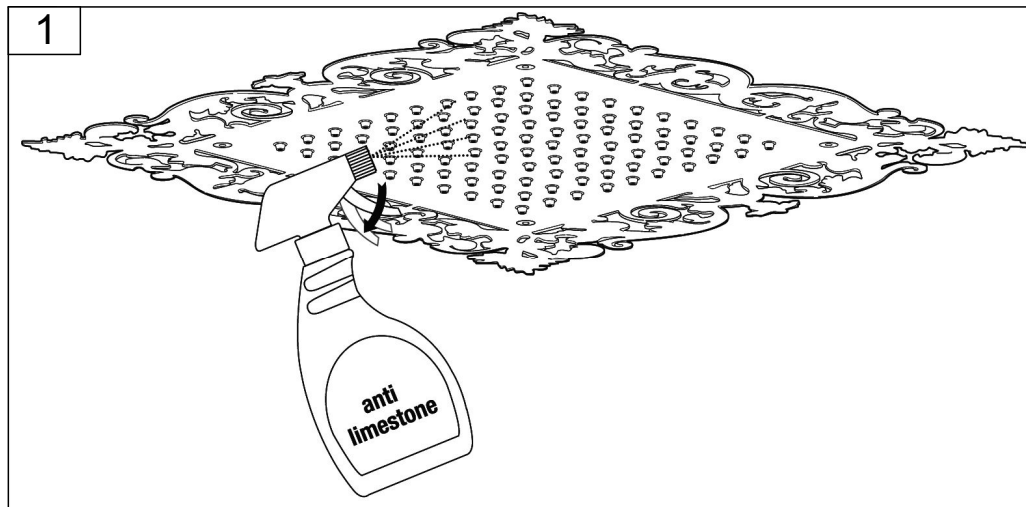
Ajour MCRD-770

Built-In Shower Head

CLEANING TIPS

aquatica®

Function, Form & Fashion



Cleaning of metal parts: For an easy cleaning of the metal parts of the product, simply use a soft cloth moistened in water and soap or an anti-limestone detergent. To avoid spots caused by calcium in water, we advise drying with a cloth after each use.

Advice: please use only natural soap-based detergents avoiding those with alcohol, hydrochloric acid or phosphoric acid, bleach, chlorine etc. and those containing abra-sive powders.

aquatica®
Function, Form & Fashion

